




## KIT ADMISSION DIRECTE DIRECT INDUCTION KIT

TOYOTA CORROLA  
1.8L GTI 16V

S.A.S.

**Chrono'Sport**

122 rue du faubourg Saint Jean  
ZA de l'AVELON - 60000 BEAUVAIS -  
FRANCE

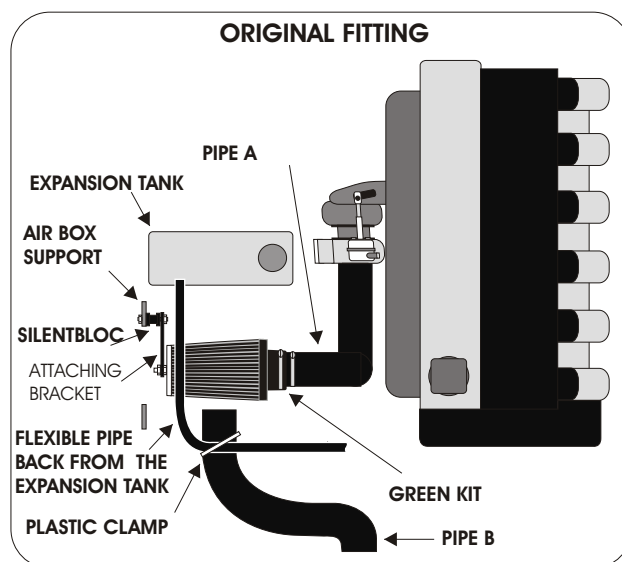
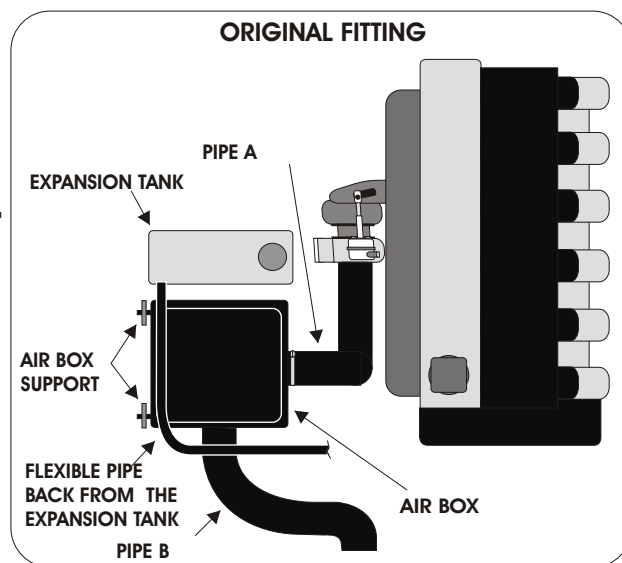
 00.33.3.44.02.64.64

 00.33.3.44.02.87.10

**Part n° :P126**

# FITTING INSTRUCTION

- 1/ Remove the complete air box.
- 2/ Fit and tighten the steel sleeve to the pipe A.
- 3/ Drill a 6 mm diameter hole in the air box support.  
Fix the rubber mount to this support.
- 4/ Fix the attaching bracket to the GREEN filter then,  
fix it to the steel sleeve.
- 5/ Fix the attaching bracket to the rubber mount.
- 6/ Fix pipe B to the flexible pipe with the help of  
the plastic clamp.



### IMPORTANT:

The running of your engine is linked directly with the maintenance of the air filter. Clean your air filter every 7000 kms or 4500 miles with Green cleaning products..

### WARRANTY:

The air filter guarantee is for defects in materials and workmanship only. Guarantee is void if the air filter is damaged by an accident, unreasonable use, neglect, misuse, abuse, improper installation or other causes not arising out of defects in materials and workmanship. The induction kit is a technical product so it is necessary to have some basic mechanical skills. If problems do not hesitate to have your induction kit fitted by a professional.

Green Technical dept : TEL: 00.33.3.44.02.64.64