



KIT ADMISSION DIRECTE DIRECT INDUCTION KIT

FIAT COUPE 2.0L 16V

S.A.S.
Chrono'Sport

122 rue du faubourg Saint Jean
ZA de l'AVELON - 60000 BEAUVAIS -
FRANCE

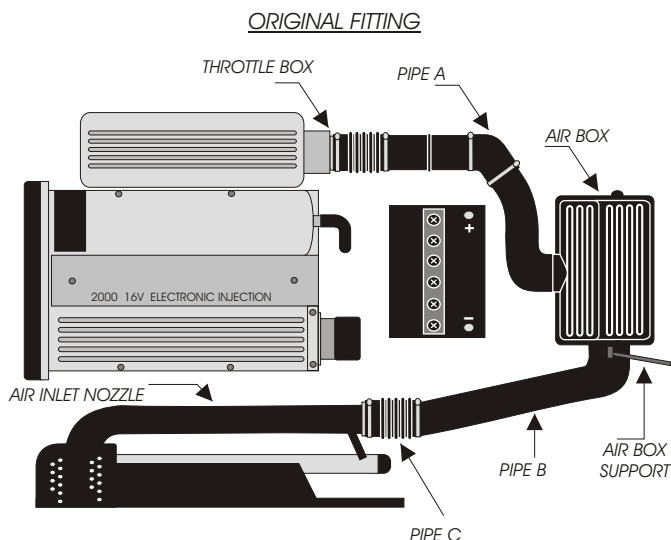
00.33.3.44.02.64.64

00.33.3.44.02.87.10

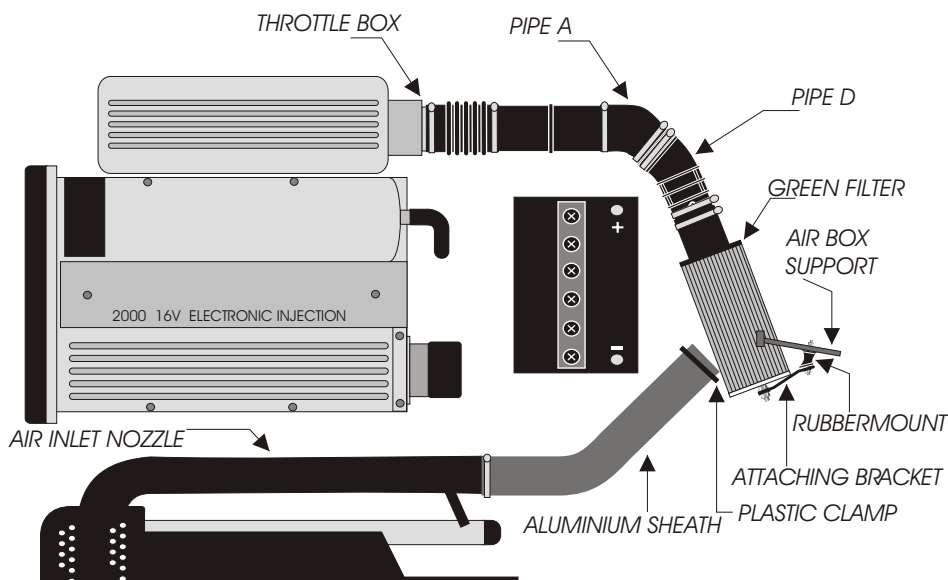
Part n° :P132

FITTING INSTRUCTION

- 1)- Remove complete air box and pipes B and C.
- 2)- Fix a steel sleeve into pipe A.
- 3)- Fix pipe D onto pipe A, then fix another steel sleeve into pipe D.
- 4)- Fix the rubbermount to the air box support.
Fix the attaching bracket to the GREEN filter then fix filter onto pipe D.
- 5)- Fix the aluminium sheath onto the air inlet nozzle and bend towards the air filter and fix in place with the plastic clamp.



FITTING WITH THE GREEN DIRECT INDUCTION KIT



IMPORTANT:

The running of your engine is linked directly with the maintenance of the air filter. Clean your air filter every 7000 kms or 4500 miles with Green cleaning products..

WARRANTY:

The air filter guarantee is for defects in materials and workmanship only. Guarantee is void if the air filter is damaged by an accident, unreasonable use, neglect, misuse, abuse, improper installation or other causes not arising out of defects in materials and workmanship. The induction kit is a technical product so it is necessary to have some basic mechanical skills. If problems do not hesitate to have your induction kit fitted by a professional.