





## KIT ADMISSION DIRECTE DIRECT INDUCTION KIT

VW GOLF 4 1.8L TURBO  
20V 150HP

S.A.S.  
**Chrono'Sport**  
122 rue du faubourg Saint Jean  
ZA de l'AVELON - 60000 BEAUVAIS -  
FRANCE

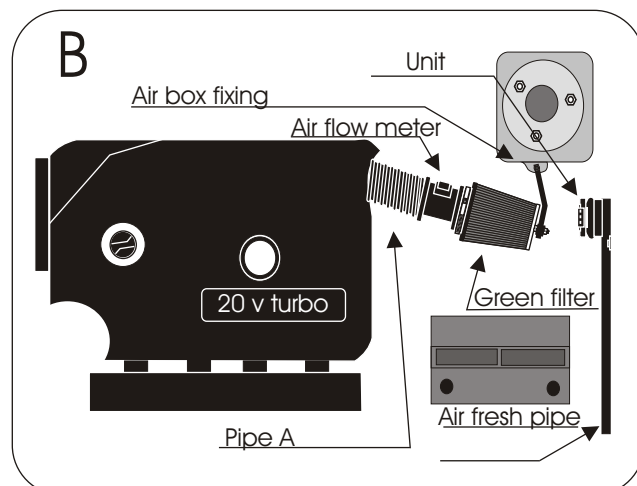
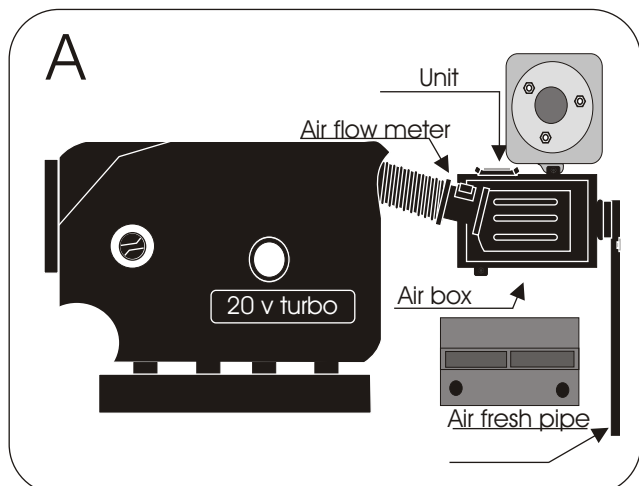
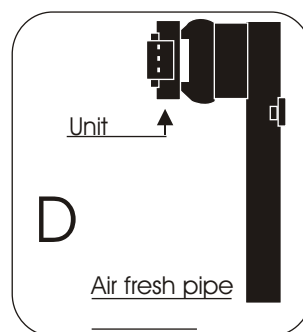
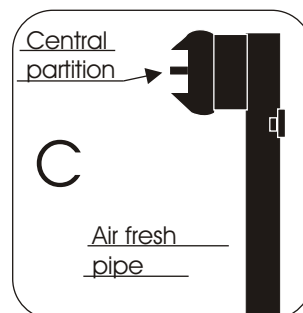
 00.33.3.44.02.64.64

 00.33.3.44.02.87.10

**Part n° :P221**

# FITTING INSTRUCTION

Remove the complete air box.  
Disconnect the air flow meter from the air box and the unit with its joint.  
Remove the central partition of the air fresh pipe (see diagram C).  
Fix the unit to the entry of the air pipe with the joint (see diagram D).  
Fix the air flow meter with the green filter to the flexible pipe A (see diagram B).  
Fix the filter with the bracket provided to the original fixing of the air box (see diagram B).  
Position the filter in order that it does not touch a mechanical part.



### IMPORTANT:

The running of your engine is linked directly with the maintenance of the air filter. Clean your air filter every 7000 kms or 4500 miles with Green cleaning products.

### WARRANTY:

*The air filter guarantee is for defects in materials and workmanship only. Guarantee is void if the air filter is damaged by an accident, unreasonable use, neglect, misuse, abuse, improper installation or other causes not arising out of defects in materials and workmanship. The induction kit is a technical product so it is necessary to have some basic mechanical skills. If problems do not hesitate to have your induction kit fitted by a professional.*

Green Technical dept : TEL: 00.33.3.44.02.64.64